

XPEX LED SERIES

Explosion Proof Edge Lit LED Exit Light

- Class I, Division 1, Groups C & D
- Class II, Division 1, Groups E, F & G
- Class III
- Class I, Zone 1, Groups IIA, IIB,
- Zone 2, Groups IIA, IIB + H2 & IIC
- UL 844, 8750 & UL924
- UL 1598A Marine Outside Type
- Temperature Class (T-Rating)-T6
- Patent No. 7,287,347
- IP65



713.943.0340 | azz.com/rigalite

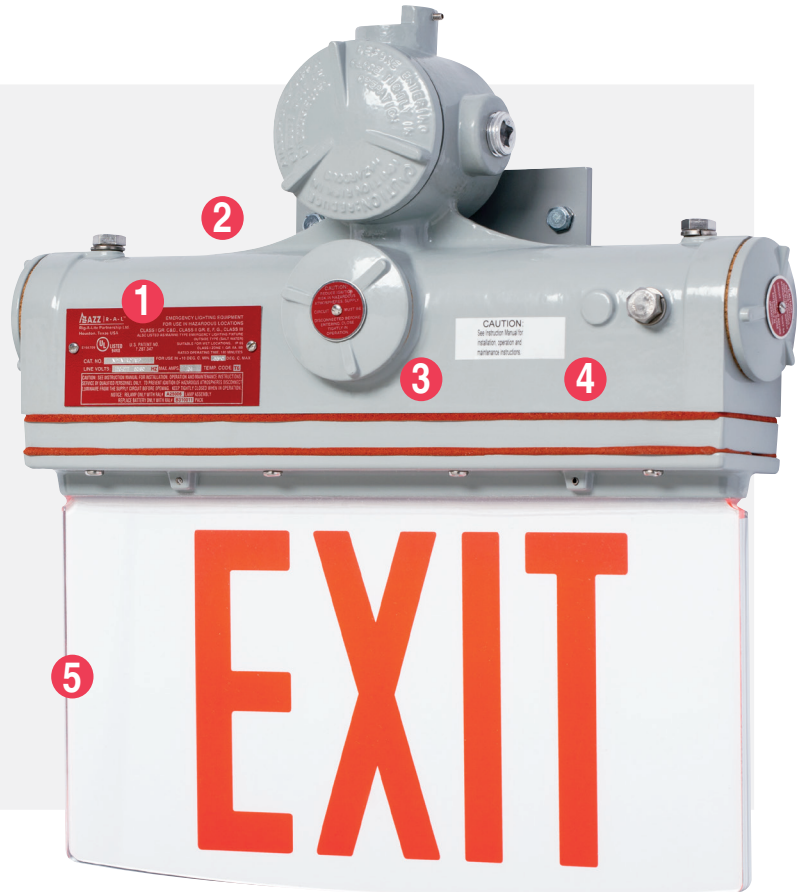
XPEX
LED

XPEX SERIES

Explosion Proof LED Edge Lit Exit Light

Key Features:

- 1 Emergency battery back-up integral to sign (no additional enclosure required)
- 2 3-hour emergency operation
- 3 Optional battery back-up self-diagnostic feature
- 4 Field replaceable LED circuit boards and drivers with quick disconnects
- 5 Edge-lit sign



Additional Features:

- Wall, pendant and end mounting options
- Alternate exit legend and languages available
- Single- or double-sided option
- Sealed NiCad batteries
- Provided with three (3) ½ ” NPT hubs
- Red or green LED options

Standard Materials:

- Body: A356T6 aluminum (less than .4% copper content) with baked-on gray epoxy finish
- Gasket: One-piece silicone
- Sign: Acrylic
- Hardware: Stainless steel

XPEX Series

Explosion Proof • UL 844 • UL 924 • UL 1598A Marine Outside Type • Factory Sealed

Catalog Number Logic

XPEX-2-G-DT-WP-XX

1

2

3

4

5

6

1

BASIC SERIES

XPEX Explosion Proof LED Exit Light
Class I, Division 1, Groups C, & D
Class II, Division 1 & 2, Groups E, F & G
Class III
Class I, Zone 1, Groups IIA, IIB,
Zone 2, Groups IIA, IIB + H2 & IIC
Marine Outside Type
UL 1598A, 8750, 844 & 924
IP65
Temperature Class (T-Rating)-T6

2

NUMBER OF FACES

1 = Single Face
2 = Double Face

3

LEGEND COLOR

R = Red
G = Green

4

VOLTAGE / FREQUENCY

DT = 120/277V 60HZ
24 = 220-240V 50/60HZ
Other voltages available - consult factory

5

MOUNTING

WP = Wall/Pendant Mounting
EB = End Bracket

6

OPTIONS¹

EM = Emergency Battery Backup
EU = Green Running Man Exit Legend
SD = Self Diagnostics
X = Exit Legend in Other Languages
Language Must Be Specified

¹Consult factory for pricing.

Maximum Input Power

Red no battery - 1.5 Watts
Red with battery - 2.5 Watts
Green no battery - 2.3 Watts
Green with battery - 3.0 Watts

Operating Temperature Range

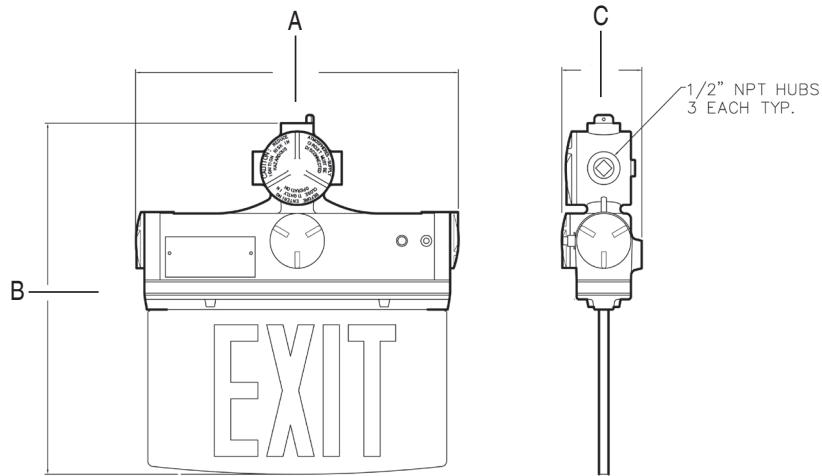
Temperature Rating - T6
Red Legend
+10°C Minimum to +55°C Maximum
Green Legend
+10°C Minimum to +40°C Maximum

Catalog logic is for explaining catalog number structure only. Not all combinations are possible; consult factory for catalog numbers not listed in charts.

XPEX Series

Explosion Proof • UL 844 • UL 924 • UL 1598A Marine Outside Type • Factory Sealed

XPEX Series Fixture Dimensions (inches)



XPEX SERIES	Dimensions (inches)			Boxed Weight	Shipping Volume (Boxed Fixtures)
	A	B	C		
XPEX LED Exit Sign/Light	14.88	3.69	16.00	14 lbs.	1.24 cu. ft.