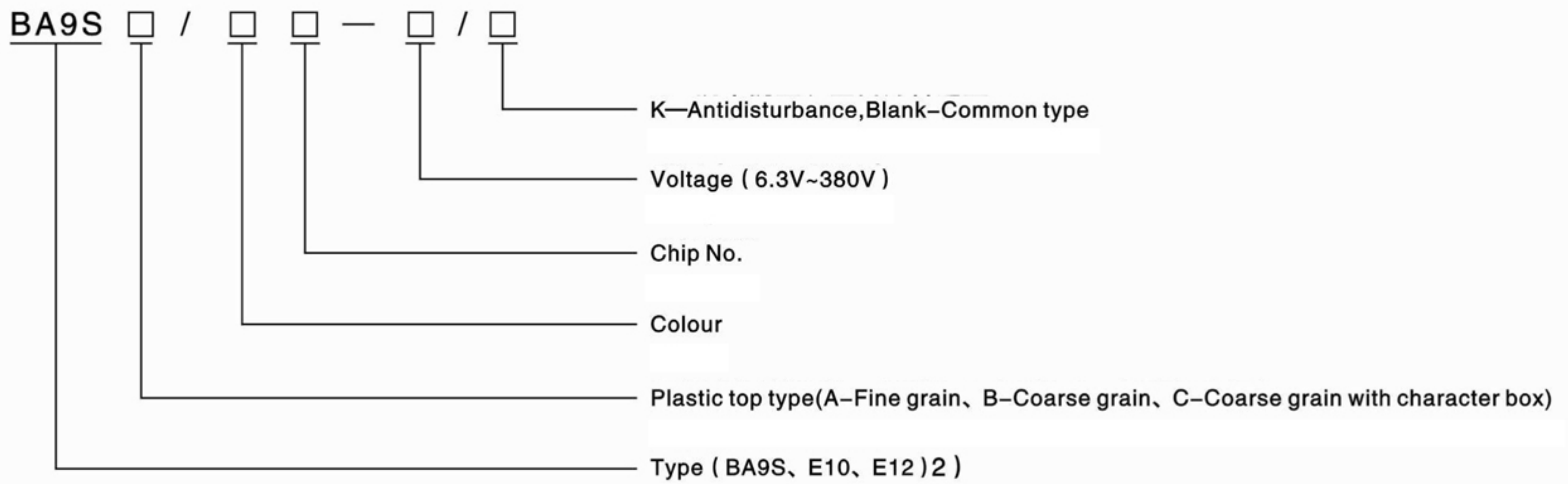


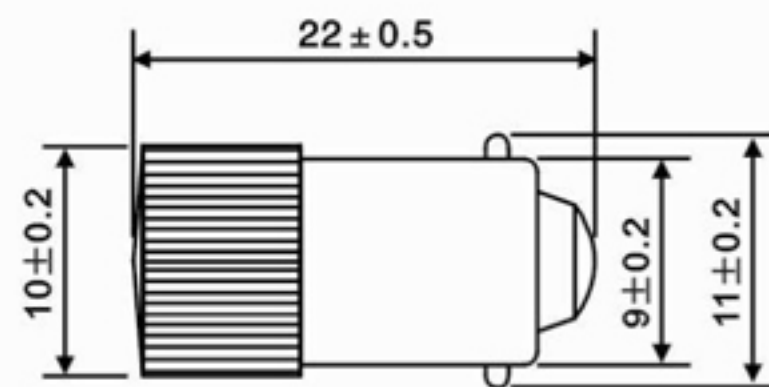
## BRIEF INTRODUCTION

This type of lamp head is made of imported LED shining chip and sealed by epoxide resin. It has the characteristics of showy colour, long using life, low power consumption, corrosion-resisting and antivibration.

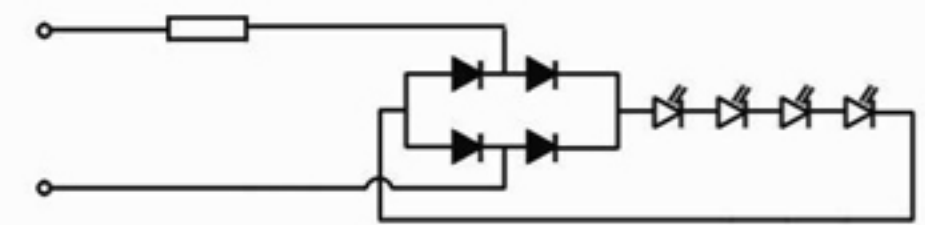
## MODEL AND MEANING



Diagram



Electric principle



Spectrogram	Type	Voltage	Colour
<p style="text-align: center;">SPECTRUM</p> <p style="text-align: center;">Wavelength (nm)</p>	BA9SA/	6.3V~220V	<ul style="list-style-type: none"> <li>●</li> <li>●</li> <li>●</li> <li>●</li> <li>○</li> </ul>