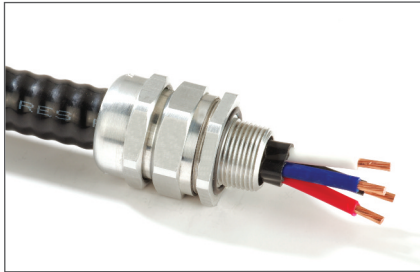




TMC CABLE CONNECTOR

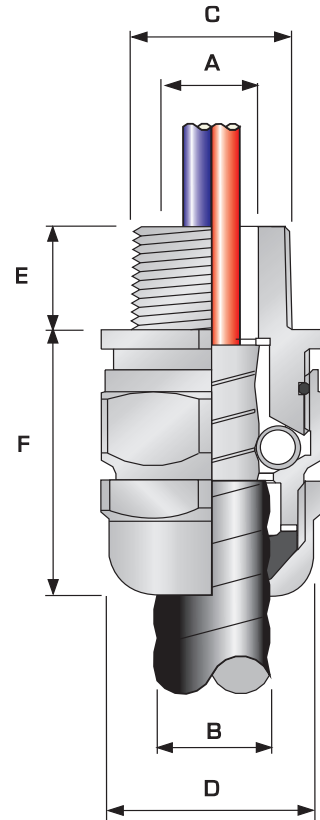


TMC Ordinary, Wet & Hazardous Location Cable Connector

CMP Type TMC Cable Connector suitable for use with Corrugated Interlocked & Continuously Welded Metal Clad (Type MC or MC-HL) or TECK armored and jacketed cables in ordinary, wet & hazardous locations including Class II Division 1 & 2 installations. The cable connector provides mechanical retention and electrical continuity via the armor termination and an environmental seal on the cable outer jacket. In addition this UL listed cable connector also offers Class I Zone I, AEx e II certification. The re-usable compression spring feature providing both grounding and gripping functions to the cable armor, allows the cable to be easily disconnected from the equipment, for maintenance and change out etc.

The TMC cable connector offers Nema 4X and IP68 ingress protection and is supplied in Copper free Aluminum, Stainless Steel, or Electroless Nickel Plated Brass. The TMC is available in NPT (standard) and Metric thread forms, and is also IEC Ex Certified Ex e II, offering a single solution that can be employed in accordance with both NEC and IEC codes of installation.

TECHNICAL DATA	
Type	TMC
Design Specification	UL 514B, UL 886
CSA Approval Certificate Number	1129339
Code of Protection Category	Class II Div 1 & 2 Groups EFG, Class III Div 1 & 2, Class I Zone 1 Ex e II, Enclosure Type 3, 4 and 4X
Compliance Standards	CAN/CSA-C22.2 Number 18-92, CSA C22.2 Number 25-1966, CSA C22.2 Number 174-M1984, CAN/CSA-C22.2 Number 94-M91, CAN/CSA-E60079-0-2001, IEC 60079-0 1998, CAN/CSA-E79-7-95
UL Listing File Number	PJ0X.E163112, CYMJ.E256366
Code of Protection Category	Class II Div 1 & 2 Groups EFG, Class III Div 1 & 2, Class I Zone 1 AEx e II, Ordinary & Wet Locations
Compliance Standards	UL 514B, UL 886, UL 60079-0, UL 60079-7
ATEX Certification	SIRA 07ATEX 1122X
Code Of Protection Category	ATEX II 2 GD Ex e II, Ex tD A21 IP66
Compliance Standards	EN 60079-0:2006, EN 60079-1:2004, EN 60079-7:2003, EN IEC 61241-0:2004, EN IEC 61241-1:2004
IECEx Approval Number	IECEx SIR 07.0083X
Code of Protection Category	Ex e II, Ex tD A21 IP66
Compliance Standards	IEC 60079-0:2004, IEC 60079-1:2003, IEC 60079-7:2006-07, IEC 61241-0:2004, IEC 61241-1:2004
GOST R Certificate Number	POCC GB. ГБ05.В01912
Code of Protection Category	Ex e II
Compliance Standards	ГОСТ P 52350.0-2005, ГОСТ P 52350.7-2005
GGTN Permit Number	PPC 00-18262
GOST K Certificate Number	KZ7500052.05.01.00063
RoK Permit for Use Number	08-067693
Lloyds Approval Number	01/00172
DNV Approval Number	E-8119
ABS Approval Number	01/LD234401A/1-PDA
Continuous Operating Temperature	-60°C to +130°C
Ingress Protection Rating	IP66
NEMA Rating	NEMA 4X
Standard Cable Connector Material	Copper Free Aluminum (<0.4%)
Alternative Cable Connector Material	Electroless Nickel Plated Brass, Stainless Steel
Seal Material	CMP SOLO LSF Thermoplastic Elastomer
Cable Type	Corrugated & Interlocked Metal Clad Armor (MC) or TECK, Continuously Welded Metal Clad Armor (MCHL)
Armor Clamping	Earth Continuity in Contact With Metal Clad Armor
Sealing Technique	CMP Displacement Seal
Sealing Area(s)	Cable Outer Jacket
Optional Accessories	Locknut, Shroud, Entry Thread Seal, Serrated Washer, Earth Tag, Adaptor/Reducer



Cable Connector Selection Table

Order Reference (NPT)			Entry Thread 'C'	Min Thread Length 'E'	Cable Armor Diameter 'A'				Cable Jacket Diameter 'B'		Nominal Assembly Length 'F'	Envelope Diameter 'D'		Shroud Reference*	
Aluminum	Nickel Plated Brass	Stainless Steel			NPT	End Stop In		End Stop Out		Min		Max	Across Flats		Across Corners
						Min	Max	Min	Max						
TMC050SA	TMC050SNB	TMC050SSS	1/2"	0.59	-	-	0.342	0.503	0.354	0.550	2.20	1.180	1.298	PVC06	
TMC050OA	TMC050ONB	TMC050OSS	1/2"	0.59	0.360	0.510	0.510	0.669	0.510	0.787	2.20	1.420	1.562	PVC09	
TMC075OA	TMC075ONB	TMC075OSS	3/4"	0.59	0.591	0.756	0.756	0.917	0.669	1.035	2.20	1.610	1.771	PVC10	
TMC100OA	TMC100ONB	TMC100OSS	1"	0.63	0.775	0.969	0.969	1.150	0.910	1.268	2.24	1.960	2.156	PVC13	
TMC125OA	TMC125ONB	TMC125OSS	1-1/4"	0.63	1.083	1.228	1.228	1.386	1.161	1.504	2.24	2.160	2.376	PVC16	
TMC150OA	TMC150ONB	TMC150OSS	1-1/2"	0.63	1.320	1.461	1.461	1.618	1.402	1.736	2.37	2.360	2.596	PVC18	
TMC200OA	TMC200ONB	TMC200OSS	2"	0.63	1.508	1.677	1.677	1.854	1.579	2.008	2.58	2.780	3.058	PVC21	
TMC250OA	TMC250ONB	TMC250OSS	2-1/2"	0.90	2.052	2.161	2.161	2.320	2.079	2.441	2.50	3.140	3.454	PVC25	
TMC300OA	TMC300ONB	TMC300OSS	3"	0.98	2.543	2.776	2.776	2.965	2.622	3.126	3.57	4.330	4.763	PVC32	
TMC350OA	TMC350ONB	TMC350OSS	3-1/2"	1.44	2.913	3.291	3.291	3.485	2.992	3.830	4.61	5.250	5.775	-	
TMC400OA	TMC400ONB	TMC400OSS	4"	1.44	-	-	3.500	4.020	3.700	4.220	7.66	5.280	5.808	-	

All dimensions in millimeters

Note: *LSF Shrouds also available on request. Marine approvals including Lloyds, DNV & ABS are also available from CMP Products.