

Receptacles and Plugs: Explosionproof

For use with Threaded Metal Conduit.

Applications

- Locations where receptacles are used with stationary or portable electrically operated devices such as lighting systems, conveyors, heaters, motor-generator sets, air conditioners, compressors and pumps.
- Locations where damp or corrosive conditions are encountered.
- Class I- classified areas such as petrochemical plants, petroleum refineries, paint and chemical plants or any location where ignitable vapors or gases are present.
- Class II- locations such as process industries where there are dust hazards from handling such products as flour, grain and starch or any location where ignitable amounts of dust are present or amounts which would adversely affect performance.

Features

- Appleton's U-Line Interchanger™ plug mates with Killark® "UGR" Series and Crouse-Hinds® "ENR" Series receptacles (See page L-4).
- Factory sealed- external seals not required (except EBR, EBRH, DBR, FSQX, JBR, MD2SR). Arcing, if any, is safely confined to receptacle interior.
- U-Line® offers choice of aluminum receptacle with malleable iron mounting box or all malleable iron receptacle and box.
- Energized receptacle contacts deeply recessed to reduce danger of accidental touching.
- Positive polarization: only plugs of the same style, number of poles and ampere rating may be used with these receptacles.
- Grounding through extra pole and shell for extra safety.
- Spring door keeps dust out of receptacle when plug is not in use (CPS, CES/CESD, EBR, EBRH, DBR MD2SR and JBR). U-line® receptacle is supplied with spring door with hinge at top, which may be rotated 180° or completely removed. (See page L-4 for full description of U-Line® features.) FSQX has screw cap fastened to chain.
- Unique design brass contacts exert constant pressure along entire contact surface and provide superior electrical contact.

Class I, II, III



U-Line® /
Contender®
U-Line
20 Ampere,
Dead Front



FSQX
30 Ampere,
Interlocked
Switch and
Cover,
Dead Front

EBRH, EBR
30-, 60-, and 100-Ampere,
Interlocked, Disconnect
Switch or Interlocked
Circuit Breaker, Dead Front



JBR
30- and 60-
Ampere,
Interlocked
Disconnect Switch,
Dead Front



EFSR-GFI / ENR-GFI
Factory Sealed, Explosionproof,
Dust-Ignitionproof, Ground Fault
Circuit Interrupter

Class II, III



DBR
30-, 60-, and 100-Ampere,
Interlocked Disconnect
Switch or Interlocked
Circuit Breaker, Dead Front

Class I



CPS®
20 Ampere,
Dead Front

Contender®
CPS® 20 Ampere
Delayed Action



CES / CESD
30- and 60-
Ampere, Delayed
Action, Dead
Front

CPS®-GFI
Factory Sealed,
Explosionproof,
Ground Fault
Circuit Interrupter



MD2SR
Interlocked
Switched
Receptacle



Receptacles and Plugs: Explosionproof

For use with Threaded Metal Conduit.

- U-Line® has blade-type contacts. FSQX, CPS, CES/CESD, EBR, EBRH, MD2SR and DBR contacts have beryllium copper wire springs.

- Positive mechanical cable clamps prevent strain on cables they meet or exceed U.L. strain relief pull-out requirements.

- Neoprene bushing compressed by cable collar prevents entrance of water.

- Insulators provide greatest dielectric and mechanical strength, lowest moisture absorption, and lowest "arc tracking."

- Smooth, rounded integral bushing in each hub protects conductor insulation. (EBR, EBRH, MD2SR and DBR have tapped conduit openings.)

- U-Line and CPS: "Dead Front" construction. To operate, insert plug and rotate. Rotation of plug activates switch to ON position during plug insertion and to OFF position during plug withdrawal.

- U-Line and Contender U-Line are both intermateable with the Crouse-Hinds ENP plugs of like configurations. Contender U-Line receptacles are UL Classified to mount on Crouse-Hinds EDS boxes.

- Special U-Line receptacles are UL Classified to mount on Killark SWB boxes.

- Contender CPS receptacles are intermateable with the Crouse-Hinds CPP516 plug. CPP plug is intermateable with the Crouse-Hinds CPS receptacle.

- FSQX: "Interlocked Switch and Cover" offers double protection—plug cannot be inserted or removed unless switch is in OFF position. Interlock device in the cover breaks circuit when locking screw is backed down for cover removal. To operate, insert plug and turn switch to ON position.

- CES/CESD: "Delayed Action" construction. To operate, insert plug to first stop, move Slide-Lok® slide to right and push plug fully forward.

- EBRH/DBR/JBR: "Interlocked Disconnect Switch" provides safe connect and disconnect operation at 30, 60 or 100 ampere, 600VAC maximum. Two or three pole, non-fused motor circuit switch. EBRH permits safe operation in Class I, Group B as well as Class I, Groups C and D, Class II, Groups F, G, and Class III (DBR in Class II and III only).

- EBR/DBR: "Interlocked Circuit Breaker" provides interlocked connect and disconnect operation as well as short circuit and thermal time delay overload protection.

- EBR, EBRH, DBR, JBR: To operate, insert plug (which automatically locks into receptacle) and turn Breaker Handle to ON position. To remove plug, turn Handle to OFF position, lift Plug Release Knob and pull plug out.

- ECC Cord Connector permits connecting a portable extension cord to an explosionproof enclosure.

- ECP plug fits any standard U-Ground non-explosionproof receptacle (NEMA 5-15R, 5-20R, or 6-20R) as well as U-Line explosionproof receptacles.

- ACP plug fits Powertite® Series non-hazardous location ADR receptacles (see Catalog Section D) as well as EBR, EBRH, JBR, MD2SR and DBR hazardous location receptacles.

- CPH plug fits Powertite® Series non-hazardous location receptacles (see Catalog Section D) as well as CES/CESD and EBR, EBRH, JBR, MD2SR and DBR hazardous location receptacles.

Standard Materials

- *U-Line, CPS, CES/CESD*: copper-free aluminum receptacle and cover with malleable iron mounting box.

- *U-Line M series*: Malleable iron receptacle and mounting box.

- *FSQX*: malleable iron body with copper-free aluminum screw covers.

- *EBR, EBRH, JBR, MD2SR and DBR*: copper-free aluminum receptacle and mounting box.

- *ECP, CPH, ACP, FP, CPP Plugs*: copper-free aluminum housings.

- *ECC cord connectors*: copper-free aluminum housing and fiber glass reinforced polyester interior.

- *Insulating blocks*: U-Line®, CES/CESD, EBR, EBRH and DBR, ECP, CPH, ACP- fiber glass reinforced polyester. FSQX, CPS, CPP, FP-phenolic.

Standard Finishes

- *Malleable iron mounting boxes*: triple-coat-(1) zinc electroplate, (2) dichromate and (3) epoxy powder coat.

- *U-Line receptacles and EBR, EBRH and DBR receptacles and mounting boxes*: Epoxy powder coat.

- *FSQX: malleable iron receptacles*: triple-coat-(1) zinc electroplate, (2) dichromate and (3) epoxy powder coat.

- *CPS aluminum receptacles*: epoxy powder coat.

- *CES/CESD aluminum receptacles*: ceramic burnished.

- *Cord connector housings and caps*: epoxy powder coat.

Options:

- U-Line all-aluminum receptacle cover and box. Suffix—A.

- Contender U-Line and CPS. Suffix—SA.

- *U-Line and CPS receptacles only* available for use in combination with two thru five gang EFD boxes incorporating such devices as pilot lights, switches and push buttons. See Catalog Sections M and N.

- **Special Polarization**: Standard receptacles, plugs and connectors have positive polarization, which ensures that only plugs of the same style, number and ampere rating can be used together. In installations where there are different line voltages, the SPECIAL POLARIZATION option is desirable. This allows only plugs and receptacles wired for the same line voltage to be mated together. The receptacle interior is positioned 22-1/2°, relative to the polarization rivet, to the right (as specified) of standard, and plug is polarized to correspond. This makes it impossible to mate plugs and receptacles of dissimilar voltages. This option can be added to receptacles using the PowerTite® Plug (JBR, EBR, DBR Series). Suffix -P4.

Accessory:

- CPS corrosion resistance kit. Order CPS233RXXKIT (For CPR23 only).

- U-Line corrosion resistance kit. order ULINEREC4XKIT.

Compliances:

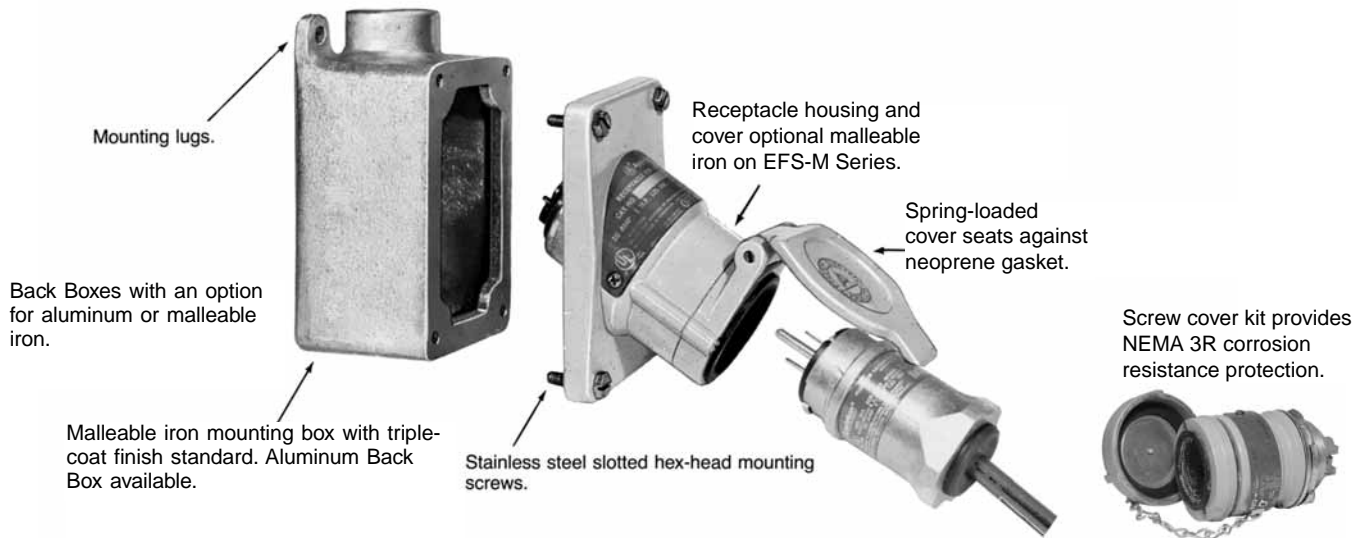
- UL Standard 1010, 894, 1682, 1686

- Appleton malleable iron products conform to ASTM A47-77, Grade 32510, which has the following properties: tensile strength, 50,000 psi; yield, 32,000 psi; and elongation, 10%.

- Appleton aluminum products are produced from a high strength copper-free (4/10 of 1% max.) alloy.

20 Amp U-Line® and Condenser U-Line Factory Sealed Receptacles and Plugs: Explosionproof, Dust-Ignitionproof

For use with Threaded Metal Conduit.



Cover may be used with hinge at top (standard) or rotated 180° to put hinge at bottom. Stainless steel cover spring-completely enclosed for protection from corrosive environments.

With plug in use, neoprene gasket in throat of receptacle "seals" around plug keeping out dirt, water, dust and other foreign matter.



With plug not in use, spring-loaded door seats against neoprene gasket to seal receptacle from corrosive atmospheres.



Factory sealed receptacle/switch interior. Switch is an integral part of receptacle interior, contained in an aluminum sleeve. Protective xylan coating on inside of sleeve provides smooth "rotating" action of internal switch, which is activated by rotating plug in receptacle. Entire aluminum sleeve is sealed at both ends with neoprene O-rings to protect receptacle/switch interior against moisture.

*For Convenience...*ECP Interchanger™ Plug fits ordinary location receptacles (NEMA 5-20 or 15 and NEMA 6-20) and explosionproof U-Line Receptacle as well as Killark® "UGR" Series and Crouse-Hinds® "ENR" Series.



Ordinary receptacle

For Safety... Ordinary location plug will NOT activate explosion-proof U-Line Receptacle.



Ordinary plug

Heavy duty cable grip—exceeds UL 150-lb. pull-out test for classified locations.



A twist of the plug produces audible "click" to indicate fast make and break of built-in switch contacts. Twisting plug locks it in place—cannot be accidentally pulled out.

Special neoprene watertight plug bushing accommodates flexible cord ranging from .538" to .639" in diameter.

Solderless lugs—all terminals are pressure type to facilitate wiring.

Longer plug housing for better gripping and easier plug insertion and withdrawal.

U-Line® Intermateability Chart

The Appleton "ECP" Model "D" Plug and "EFS" and "ENR" Receptacles are UL Listed Combinations. The Appleton "ECP" Model "D" Plug with Killark® UL Listed "UGR" Series Receptacles or with Crouse-Hinds® UL Listed "ENR" Series Receptacles are UL Classified Combinations.

Appleton Plug Rating	Model D Appleton Plug Cat. No.	Receptacle Rating	U-Line® Receptacle Cat. No.	Contender® U-Line® Receptacle Cat. No.	Killark Receptacle Cat. No.	Crouse-Hinds Receptacle Cat. No.	No. of Conduit Openings	Hub Size, In.	No. of Gangs
125V,15A,1HP	ECP-1523	125V,20A,1HP	EFSR-2023	ENR-5201	UGR0-20231	ENR-5201	–	–	–
125V,20A,1HP	ECP-2023								
125V,15A,1HP	ECP-1523	125V,20A,1HP	EFS150-2023	ENR-11201	UGR1-20231	ENR-11201	1	1/2	1
125V,20A,1HP	ECP-2023								
125V,15A,1HP	ECP-1523	125V,20A,1HP	EFS175-2023	ENR-21201	UGR2-20231	ENR-21201	1	3/4	1
125V,20A,1HP	ECP-2023								
125V,15A,1HP	ECP-1523	125V,20A,1HP	EFS110-2023	ENR-31201	UGR3-20231	ENR-31201	1	1	1
125V,20A,1HP	ECP-2023								
125V,15A,1HP	ECP-1523	125V,20A,1HP	EFSC150-2023	ENRC-11201	UGR4-20231	ENRC-11201	2	1/2	1
125V,20A,1HP	ECP-2023								
125V,15A,1HP	ECP-1523	125V,20A,1HP	EFSC175-2023	ENRC-21201	UGR5-20231	ENRC-21201	2	3/4	1
125V,20A,1HP	ECP-2023								
125V,15A,1HP	ECP-1523	125V,20A,1HP	EFSC110-2023	ENRC-31201	UGR6-20231	ENRC-31201	2	1	1
125V,20A,1HP	ECP-2023								
125V,15A,1HP	ECP-1523	125V,20A,1HP	EFS250-2023	ENR-12201	UGR7-20231	ENR-12201	1	1/2	2
125V,20A,1HP	ECP-2023								
125V,15A,1HP	ECP-1523	125V,20A,1HP	EFS275-2023	ENR-22201	UGR8-20231	ENR-22201	1	3/4	2
125V,20A,1HP	ECP-2023								
125V,15A,1HP	ECP-1523	125V,20A,1HP	EFS210-2023	ENR-32201	UGR9-20231	ENR-32201	1	1	2
125V,20A,1HP	ECP-2023								
125V,15A,1HP	ECP-1523	125V,20A,1HP	EFSC250-2023	ENRC-12201	UGR10-20231	ENRC-12201	2	1/2	2
125V,20A,1HP	ECP-2023								
125V,15A,1HP	ECP-1523	125V,20A,1HP	EFSC275-2023	ENRC-22201	UGR11-20231	ENRC-22201	2	3/4	2
125V,20A,1HP	ECP-2023								
125V,15A,1HP	ECP-1523	125V,20A,1HP	EFSC210-2023	ENRC-32201	UGR12-20231	ENRC-32201	2	1	2
125V,20A,1HP	ECP-2023								
250V,20A,2HP	ECP-20232	250V,20A,2HP	EFSR-20232	ENR-6202	UGR0-20232	ENR-6202	–	–	–
250V,20A,2HP	ECP-20232	250V,20A,2HP	EFS150-20232	ENR-11202	UGR1-20232	ENR-11202	1	1/2	1
250V,20A,2HP	ECP-20232	250V,20A,2HP	EFS175-20232	ENR-21202	UGR2-20232	ENR-21202	1	3/4	1
250V,20A,2HP	ECP-20232	250V,20A,2HP	EFS110-20232	ENR-31202	UGR3-20232	ENR-31202	1	1	1
250V,20A,2HP	ECP-20232	250V,20A,2HP	EFSC150-20232	ENRC-11202	UGR4-20232	ENRC-11202	2	1/2	1
250V,20A,2HP	ECP-20232	250V,20A,2HP	EFSC175-20232	ENRC-21202	UGR5-20232	ENRC-21202	2	3/4	1
250V,20A,2HP	ECP-20232	250V,20A,2HP	EFSC110-20232	ENRC-31202	UGR6-20232	ENRC-31202	2	1	1
250V,20A,2HP	ECP-20232	250V,20A,2HP	EFS250-20232	ENR-12202	UGR7-20232	ENR-12202	1	1/2	2
250V,20A,2HP	ECP-20232	250V,20A,2HP	EFS275-20232	ENR-22202	UGR8-20232	ENR-22202	1	3/4	2
250V,20A,2HP	ECP-20232	250V,20A,2HP	EFS210-20232	ENR-32202	UGR9-20232	ENR-32202	1	1	2
250V,20A,2HP	ECP-20232	250V,20A,2HP	EFSC250-20232	ENRC-12202	UGR10-20232	ENRC-12202	2	1/2	2
250V,20A,2HP	ECP-20232	250V,20A,2HP	EFSC275-20232	ENRC-22202	UGR11-20232	ENRC-22202	2	3/4	2
250V,20A,2HP	ECP-20232	250V,20A,2HP	EFSC210-20232	ENRC-32202	UGR12-20232	ENRC-32202	2	1	2

Class I, Div. 1 and 2
Groups B, C, D
Class II, Div. 1 and 2
Groups F*, G
Class III
NEMA 3, 3R, 7BCD, 9F*G

20 Amp U-Line® Factory Sealed Malleable Iron Receptacles: Explosionproof, Dust-Ignitionproof

Dead-Front Safety Construction—Grounding thru Extra Pole and Shell.

U.S. Patent No. 3,346,709
Other Patents Pending

Type	Wire/Pole	Hub Size, Inches	125V	Catalog Number	250V
------	-----------	---------------------	------	----------------	------



Dead-End

Feed-Thru



Separate Sealing Chamber
Factory Sealed

Malleable Iron Receptacle and Mounting Box—Model B 125VAC, 20A, 1 HP; 250VAC, 20A, 2 HP

CLASS I, GROUP B
Single Gang—Factory Sealed
Class I, Groups B, C, and D
Class II, Groups F*, G Class III



125V



250V

Dead-End	2W,3P	1/2	EFSB150-2023M	EFSB150-20232M
		3/4	EFSB175-2023M	EFSB175-20232M
Feed-Thru	2W,3P	1/2	EFSCB150-2023M	EFSCB150-20232M
		3/4	EFSCB175-2023M	EFSCB175-20232M

These models have separate factory sealed chamber— suitable for Class I, Group B as well as Class I, Groups C and D, Class II, Groups F*, G and Class III. No external seals required.



Dead-End

Feed-Thru

Malleable Iron Receptacle and Mounting Box—Model B 125VAC, 20A, 1 HP; 250VAC, 20A, 2 HP

Single Gang—Factory Sealed
Class I, Groups C and D, Class II, Groups F*, G, Class III
Suitable for Group B when used with external seals. ‡
Class I, Div. 2 Groups B, C, D seals not required.

Dead-End	2W,3P	1/2	EFS150-2023M	EFS150-20232M
		3/4	EFS175-2023M	EFS175-20232M
		1	EFS110-2023M	EFS110-20232M
Feed-Thru	2W,3P	1/2	EFSC150-2023M	EFSC150-20232M
		3/4	EFSC175-2023M	EFSC175-20232M
		1	EFSC110-2023M	EFSC110-20232M



Dead-End

Feed-Thru

Two Gang—Factory Sealed

Class I, Groups C and D, Class II, Groups F*, G, Class III

Dead-End	2W,3P	1/2	EFS250-2023M	EFS250-20232M
		3/4	EFS275-2023M	EFS275-20232M
		1	EFS210-2023M	EFS210-20232M
Feed-Thru	2W,3P	1/2	EFSC250-2023M	EFSC250-20232M
		3/4	EFSC275-2023M	EFSC275-20232M
		1	EFSC210-2023M	EFSC210-20232M



Factory Sealed Malleable Iron Replacement Receptacle Only—Model B

Class I, Groups C and D, Class II, Groups F*, G, Class III

2W,3P	EFSR-2023M	EFSR-20232M
Spring door replacement assembly (Iron)	ULSCM	

◊ Shaded area indicates items suitable for Class I, Group B in addition to Class I, Groups C and D; Class II, Groups F*, G; and Class III.

‡ Seals (not furnished—see Cat. Sec. I) must be placed within 2 inches from each conduit opening.

* To reduce the risk of ignition of hazardous atmospheres, do not use where electrically conductive dusts are present (most coal dusts are not electrically conductive).

Effective April, 2008
Copyright 2008

Appleton®

800-621-1506
www.appletonelec.com

L-8

Class I, Div. 1 and 2
 Groups B, C, D
 Class II, Div. 1 and 2
 Groups E, F, G
 Class III
 NEMA 3, 3R, 7BCD, 9EFG

Applications

- Provides required ground fault protection for portable electrically-operated devices. Meets all UL and CSA requirements for ground fault protection in hazardous locations.
- Well suited for use in highly corrosive atmospheres and wet locations.
- Can be used in conjunction with U-Line factory-sealed Model B receptacle on 20A, 125VAC branch circuits.

Features

- Factory sealed construction; no external seals are required. Arcing, if any, is confined within the device's interior sealed chamber.
- Rated 20A, 125VAC, 5 MA trip setting.
- Smooth-operating test and reset buttons.
- Can be installed in standard EFD Series mounting boxes shown on L-9. Choice of malleable iron or aluminum, dead-end or feed-thru styles, with 1/2", 3/4" or 1" hubs.

Standard Materials

- *Cover and sealing chamber:* cast copper-free aluminum (less than 4/10ths of 1%).
- *Cover bolts, test and reset buttons and shafts:* stainless steel.

Standard Finish

- *Cover and sealing chamber:* baked grey epoxy clad finish.

Compliances

- UL Standard 943 and 1203
- NEMA 3, 3R, 7BCD, and 9EFG
- CSA Standard C22.2

◊ Shaded area indicated items suitable for Class I, Group B and Class II, Group E in addition to Class I, Groups C and D and Class II, Groups F, G.

EFSR-GFI Factory Sealed Explosionproof, Dust-Ignitionproof Ground Fault Circuit Interrupter

For use with U-Line Receptacles on 20A, 125VAC branch circuits. Installs in standard EFD Mounting Box.



EFSR-GFI cover mounted on single-gang box. The GFI cover has separate factory-sealed sealing chamber and is suitable for Class I, Group B as well as Class I, Groups C and D; Class II, Groups E, F, G and Class III.



EFSR-GFI cover installed on two-gang EFD box together with U-Line 20A, 125VAC factory-sealed receptacle. Receptacle listed for Class I, Groups C and D, Class II, Groups F and G, and Class III.



Description	Hub	Catalog Number	
		Malleable Iron	Aluminum
GFI Cover and Box-Single Gang-Factory Sealed			
Dead-End	1/2"	EFS150-GFI	EFS150A-GFI
	3/4"	EFS175-GFI	EFS175A-GFI
	1"	EFS110-GFI	EFS110A-GFI
Feed-Thru	1/2"	EFSC150-GFI	EFSC150A-GFI
	3/4"	EFSC175-GFI	EFSC175A-GFI
	1"	EFSC110-GFI	EFSC110A-GFI
GFI Cover, U-Line Receptacle and Box-Two Gang-Factory Sealed			
Dead-End	1/2"	EFS250-2023GFI	EFS250A-2023GFI
	3/4"	EFS275-2023GFI	EFS275A-2023GFI
	1"	EFS210-2023GFI	EFS210A-2023GFI
Feed-Thru	1/2"	EFSC250-2023GFI	EFSC250A-2023GFI
	3/4"	EFSC275-2023GFI	EFSC275A-2023GFI
	1"	EFSC210-2023GFI	EFSC210A-2023GFI

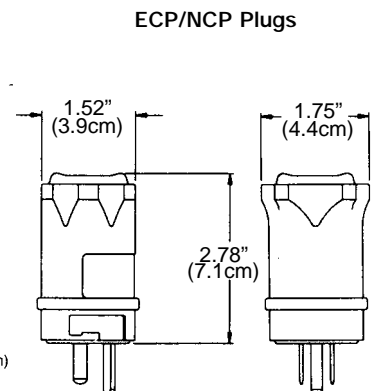
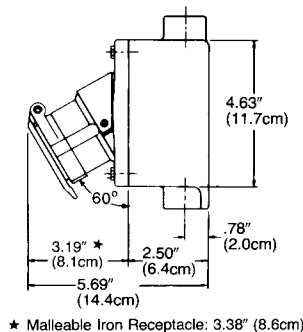
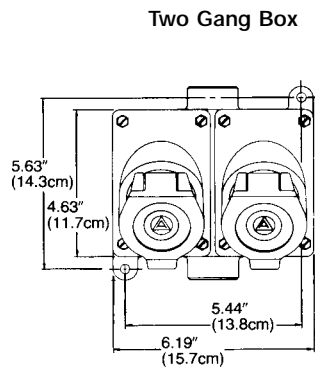
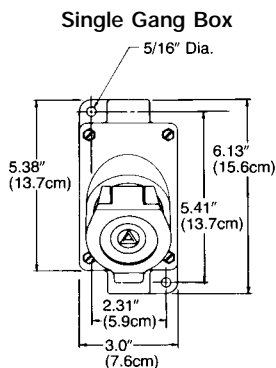
Aluminum Ground Fault Interrupter Cover/Device
 Cover may be used with other boxes and U-Line® receptacles in this section.

EFSR-GFI

Class I, Div. 1 and 2
 Groups B, C, D
 Class II, Div. 1 and 2
 Groups E, F, G
 Class III
 NEMA 7CD, 9EFG

U-Line® Mounting Boxes and Dimensions

		Type	Hub Size, Inches	Catalog Number	
				Malleable Iron	Aluminum
Single Gang					
	Dead-End		1/2 3/4 1	EFD150-NL-Q EFD175-NL-Q EFD110-NL-Q	EFD150A-NL-Q EFD175A-NL-Q EFD110A-NL-Q
	Feed-Thru		1/2 3/4 1	EFDC150-NL-Q EFDC175-NL-Q EFDC110-NL-Q	EFDC150A-NL-Q EFDC175A-NL-Q EFDC110A-NL-Q
Two Gang					
	Dead-End		1/2 3/4 1	EFD250-NL-Q EFD275-NL-Q EFD210-NL-Q	EFD250A-NL-Q EFD275A-NL-Q EFD210A-NL-Q
	Feed-Thru		1/2 3/4 1	EFDC250-NL-Q EFDC275-NL-Q EFDC210-NL-Q	EFDC250A-NL-Q EFDC275A-NL-Q EFDC210A-NL-Q



◊ Shaded area indicates items suitable for Class I, Group B in addition to Class I, Groups C and D when installed with suitable cover.

Contender® U-Line® Factory Sealed Receptacles

20 Amp, Explosionproof, Dust-Ignitionproof

Applications

- Locations where receptacles are used with stationary or portable electrically operated devices such as lighting systems, conveyors, heaters, motor generator sets, air conditioners, compressors, and pumps.
- Locations where damp or corrosive conditions are encountered.

Features

- Covers are UL listed when used with Contender® series backboxes.
- Covers are UL Classified to mount on Crouse-Hinds® EDS backboxes.
- Appleton "ENR" Series receptacles are UL Classified for use with Crouse-Hinds® ENP Series plugs.
- Appleton's Interchanger™ plug mates with Killark® "UGR" Series and Crouse-Hinds "ENR" Series receptacles.
- ECP plug fits any standard U-Ground non-explosionproof receptacle (NEMA 5-15R, 5-20R, or 6-20R) as well as U-Line explosionproof receptacles.
- Positive mechanical cable clamps prevent strain on cables— they meet or exceed UL strain relief pull-out requirements.
- Insulators provide greatest dielectric and mechanical strength, lowest moisture absorption, and lowest "arc tracking."
- U-Line receptacle: "Dead-Front" construction. To operate, insert plug and rotate. Rotation of plug activates switch to ON position during plug insertion and to OFF position during plug withdrawal.

Standard Materials

- *Cover*: copper-free aluminum.
- *Backbox*: malleable iron (optional copper-free aluminum backbox available).
- *Insulating Blocks*: fiberglass reinforced thermoset polyester.

Standard Finishes

- *Malleable iron mounting boxes*: triple-coat— (1) zinc electroplate, (2) dichromate and (3) epoxy powder coat.
- *Covers and aluminum backboxes*: epoxy powder coat.



Options

- U-Line all -aluminum receptacle cover and box. Suffix **-SA**.
- U-Line corrosion resistance kit. Order **ULINE3RXXKIT**.

Compliances





- UL Standard 1010 and 894

- Appleton malleable iron products conform to ASTM A47-77, Grade 32510, which has the following properties: tensile strength, 50,000 psi; yield, 32,000 psi; and elongation, 10%.
- Appleton aluminum products are produced from a high strength copper-free (4/10 of 1% max.) alloy.

Class I, Groups C,D
 Class I, Div. 2, Groups B
 Class I, Zone 1, Group IIB
 Class I, Zone 2, Group IIB + H₂
 Class II, Groups F*,G
 Class III
 NEMA 3RX•

Contender® U-Line® Factory Sealed Receptacles†

20 Amp, Explosionproof, Dust-Ignitionproof

		Type	Hub Size	Catalog Numbers	
				125V	250V
Single Gang- Factory Sealed					
	Dead-End		1/2	ENR11201	ENR11202
			3/4	ENR21201	ENR21202
			1	ENR31201	ENR31202
	Feed-Thru		1/2	ENRC11201	ENRC11202
			3/4	ENRC21201	ENRC21202
			1	ENRC31201	ENRC31202
Two Gang- Factory Sealed					
	Dead-End		1/2	ENR12201	ENR12202
			3/4	ENR22201	ENR22202
			1	ENR32201	ENR32202
	Feed-Thru		1/2	ENRC12201	ENRC12202
			3/4	ENRC22201	ENRC22202
			1	ENRC32201	ENRC32202
Factory Sealed Receptacle Cover Assembly Only					
				ENR5201	ENR6202
	Screw Cover Kit•			ULINEREC4XKIT	
	Spring Cover Replacement Kit (Aluminum)			ULSCA	



**Interchanger™
ECP Plug
(aluminum)**



**NCP Plug
(Thermoplastic Polyester)**




Plugs for above Receptacles

Class I, Groups B,C and D, Class II, Groups F*,G, Class III

These watertight plugs also fit NEMA 5-15R, 5-20R or 6-20R receptacles in non-classified areas.

U-Line® Interchanger™ ECP PLUG (Aluminum) Standard plug suitable for use in such areas as refineries, petrochemical plants, and other areas subject to corrosion.

NCP PLUG (Filled Polyester) Ideal where moisture or corrosion is a constant problem, such as production facilities on marine platforms, and pipeline transportation facilities.

Amps	Diagram	Wire/ Pole	Cable Dia., Inches	Cat. No. ECP Plug (Model D)		Cat. No. NCP Plug	
				125V	250V	125V	250V
15		2W,3P	.538 to .639	ECP-1523	—	NCP-1523	—
20		2W,3P	.538 to .639	ECP-2023	—	NCP-2023	—
20		2W,3P	.538 to .639	—	ECP-20232	—	NCP-20232

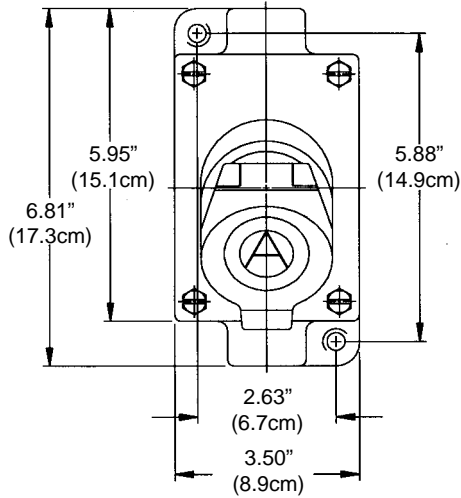
† Aluminum receptacle cover and malleable iron Contender Series box. For aluminum box and receptacle cover, add suffix -SA.

* Do not use where electrically conductive dusts are present (most coal dusts are *not* electrically conductive).

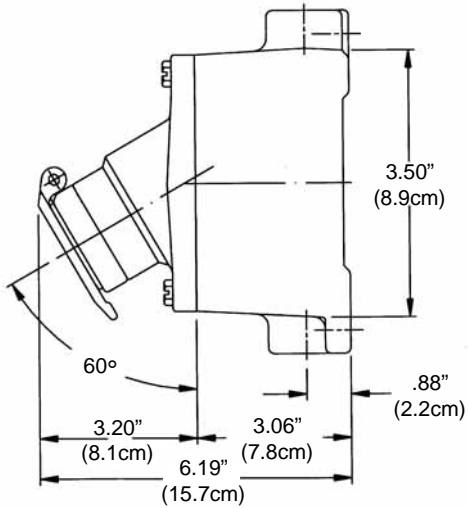
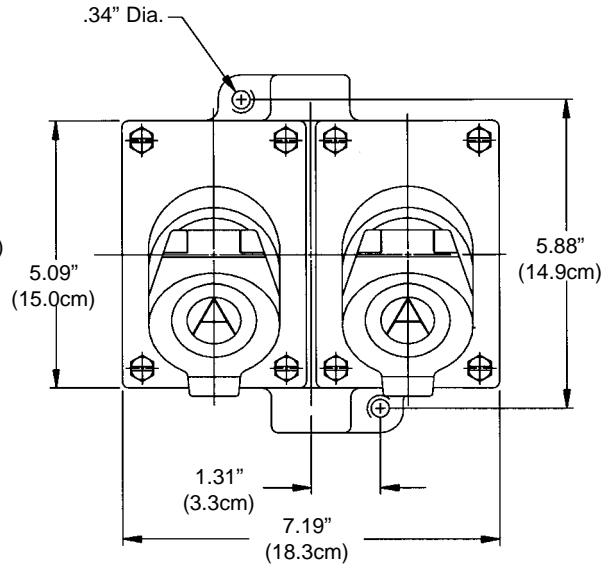
• NEMA Type 3RX when the screw cover kit is installed and the cover is fully engaged.

Dimensions: Contender® U-Line® Factory Sealed Receptacles and Plugs

Single Gang Box



Two Gang Box



ECP/NCP

